

SPECIFICATION SHEET






Product Code

710-203

Description

Down (& Up) Angled Rewirable IEC Lock+ Low Smoke Zero Halogen Appliance Outlet (Black)

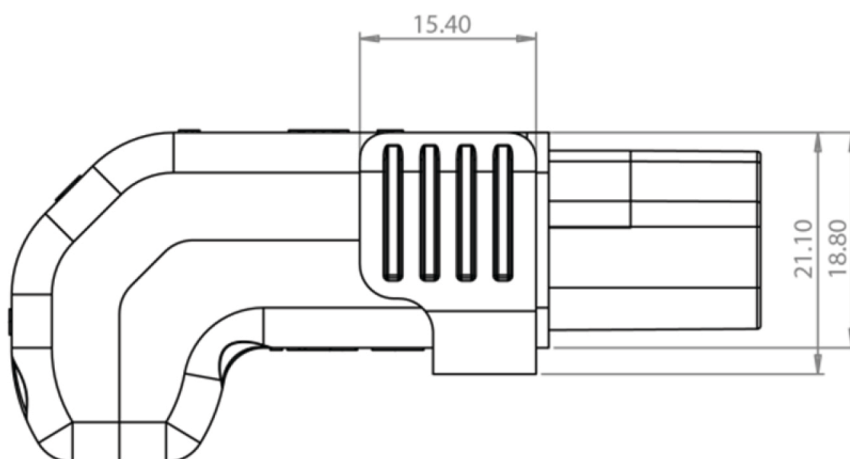
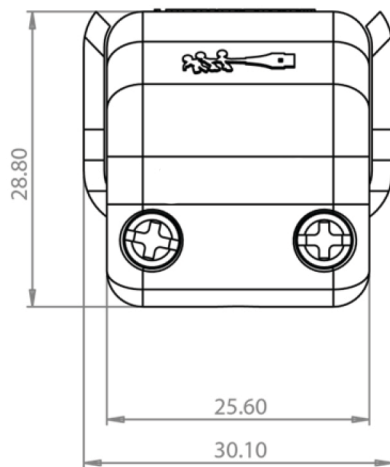
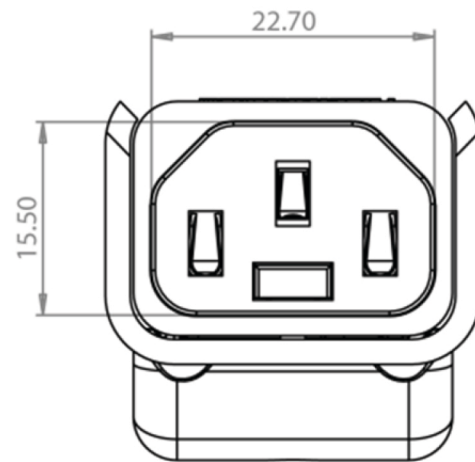
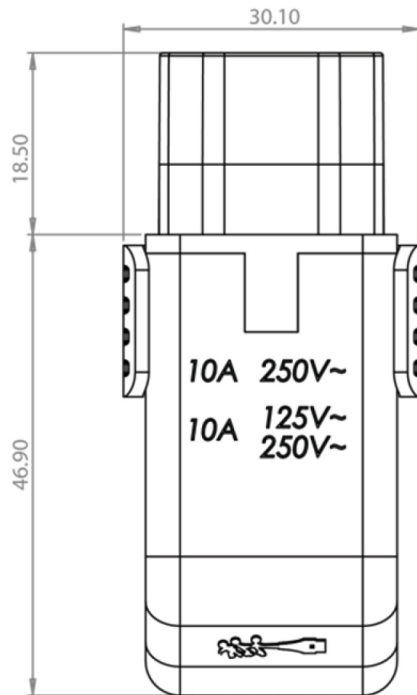


| Technical Data | |
|-------------------------------|---|
| Rating | 10A Max / 250V~ (Europe & Australia) 15A Max / 250V~ (USA) 125V~ / 250V~ (Japan) |
| Materials | Outer Body: Nylon (PA66) LSZH (RAL 9004 Signal Black) Housing Lid: Nylon (PA66) LSZH (RAL 9004 Signal Black) Chassis & Chassis Lid: Nylon (PA66) LSZH (RAL 9004 Signal Black) Cable Restraint: Nylon (PA66) Housing Screws & Cable Restraint Screws: Steel, Nickel Plated Lock Pivot Lever: Polycarbonate Terminal Block & Sliding Terminal: Brass Terminal Screws: Steel, Yellow Passivated Spring: Spring Steel Locking Blade: Spring Steel Zinc Plated Red Handle: Polycarbonate LSZH (RAL 3020 Traffic Light Red) |
| Terminal Capacity | 3 Core 1.5mm ² Maximum, 2.5mm ϕ Terminal Diameter |
| Torque Value | Terminal Screws; 0.4Nm, Strain Relief Clamping Screws; 0.3Nm |
| Dielectric Strength | 1.5 kV Max |
| Withdrawal Force | >100N |
| Ambient Operating Temperature | 25°C |
| Flammability Rating | Equivalent to UL94V-0 |
| Protection Class | Suitable for appliances with protection Class I according to IEC EN 61140 |
| Features | Rewirable Housing can be 'flipped' to become an Up Angled Connector Fits any standard C14 outlet Anti-Vibrate Integral plug retention feature Easy pull handle Slotted and Cross head housing screws Appliance inlet suitable for cold conditions |
| Standards & Approvals | |
| Standards & Legislations | KEMA-KEUR Certified: 35-102059 - EN 60320-1: 2015 UL File: E475619 - UL 60320-1 / CSA C22.2 No. 60320-1-11 SAA Certified: SAA-151920-EA - AS/NZS 60320.1.2012 JET Certified: JET7270-43004-1001 - Article 1 of the Technical Requirements of the METI Ordinance |
| Approvals |      |

Errors & Omissions excluded. Specification is subject to change without notice.

V1.0

SPECIFICATION SHEET



Errors & Omissions excluded. Specification is subject to change without notice.

V1.0